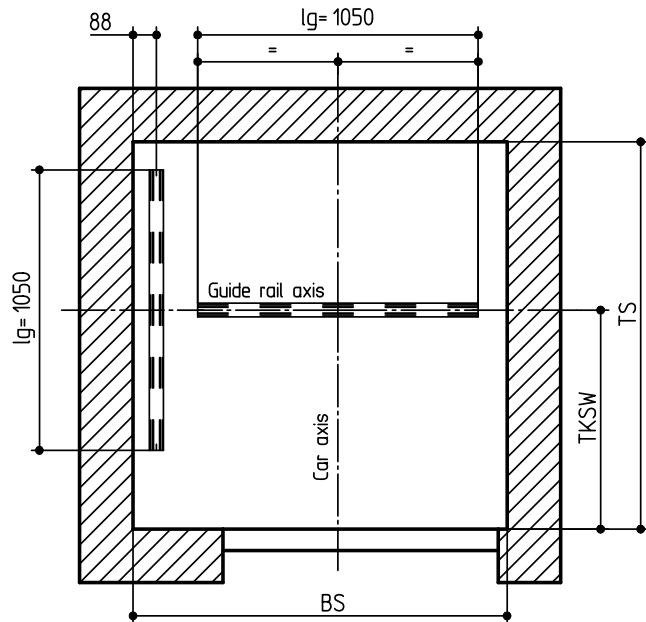


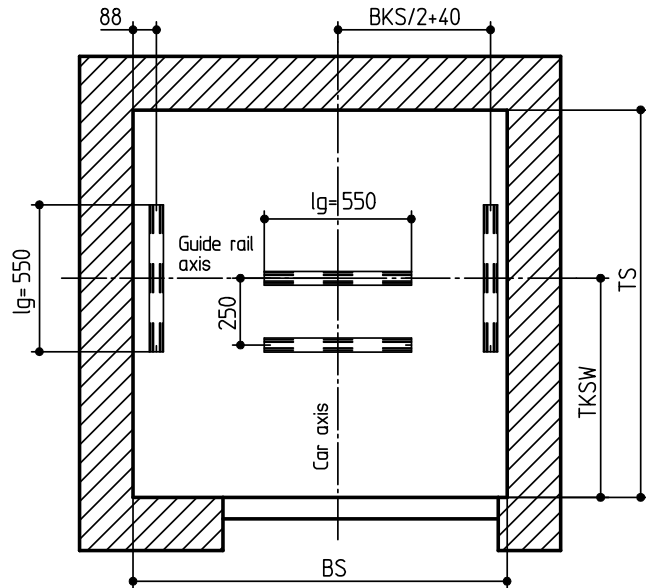
Halphen rails 52/34 anchored on concrete ceiling

Capacity for each Halphen rail:
Nominal lifting capacity = 12 kN *



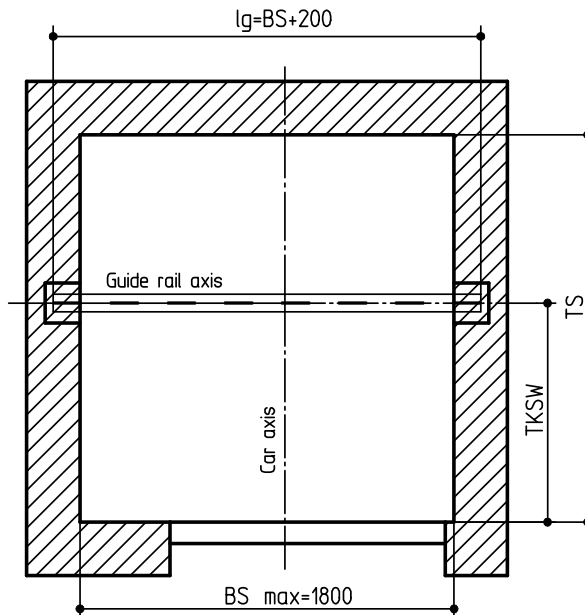
Halphen rails 52/34 anchored on concrete ceiling

Capacity for each Halphen rail:
Nominal lifting capacity = 12 kN *



I-profile 140 supported on structural lateral walls

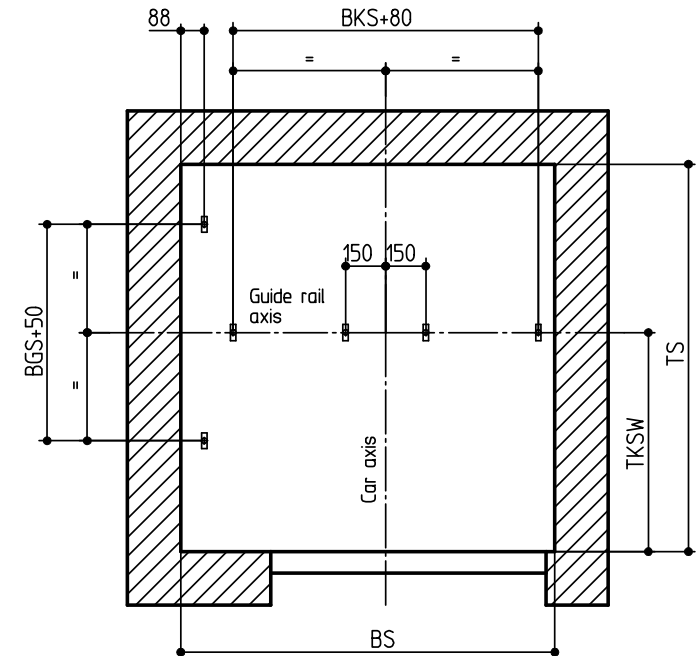
Capacity for beam:
Nominal lifting capacity = 12 kN *



Lifting hooks on ceiling

Capacity for each lifting point:

Nominal lifting capacity = 6 kN *
Test load = 12 kN
Breaking load ≥ 24 kN



* to be labelled on each hoisting facility

Modification	Ae 00							Draft	Related KSL			
KA No.	157128							Version	Related KSL			
Date	07-01-19							Date	Related KSL			
Microfilmed												
S001 Rel.3										Date	Name	
Hoisting Facilities								Scale	Replaces / Mod.	Prepared	06-12-15	kocsiszs
								1:20	Ae 00	Reviewed	06-12-18	roggerma
INVENTIO AG, CH-6052 Hergiswil								Pages	Norms checked	Released	07-01-19	blochha
								01				
Classification 11000 Format A3								Lead Office	J 635751		Language	E
								EB1				

CAD Form EB02-01E96
 This presentation is our intellectual property. Without our written consent, it shall neither be copied in any manner, nor used for manufacturing, nor communicate to third parties.
 Diese Darstellung ist unser geistiges Eigentum. Sie darf ohne unsere schriftliche Zustimmung weder irgendwie kopiert noch zur Anfertigung des Werkes gebraucht oder Dritten personen bekanntgegeben werden.
 Cet ouvrage est notre propriété intellectuelle. Sans notre autorisation écrite, il ne peut être ni copié d'une manière quelconque ni être utilisé pour la fabrication ni plus être communiqué à des tiers.